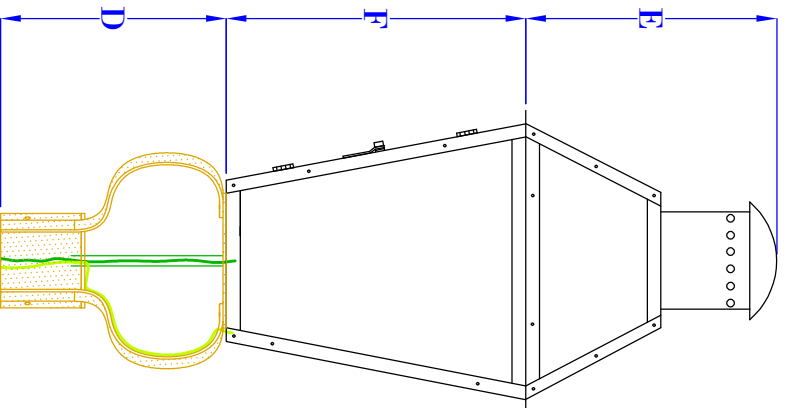


FRONT VIEW

(NTS)

NOTES:

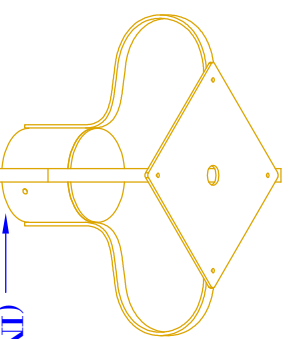
1. MOUNTING HARDWARE SUPPLIED BY OTHERS
2. FIXTURES ARE HANDCRAFTED. DIMENSIONS MAY VARY PLUS OR MINUS $\frac{1}{4}$ "
3. ELECTRIC LIGHTS SUPPLIED WITH 18/2 WIRE WITH GROUND
4. GAS LIGHTS SUPPLIED WITH $\frac{1}{4}$ " GAS NIPPLE AND $\frac{1}{8}$ " IP X $\frac{1}{4}$ " GAS LINE ADAPTOR



SIDE VIEW

(NTS)

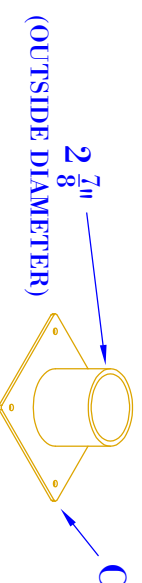
NOTE 3
NOTE 4



3"
(INSIDE DIAMETER)

**ISOMETRIC VIEW
-POST MOUNT**

(NTS-BRACKET ONLY)



$2 \frac{7}{8}$ "
(OUTSIDE DIAMETER)

C

ISOMETRIC VIEW-COLUMN MOUNT ADAPTOR

(NTS- BRACKET ONLY)

SIZE:	18"	21"	24"
A:	$26 \frac{3}{8}$ "	$29 \frac{1}{8}$ "	$34 \frac{7}{8}$ "
B:	$10 \frac{1}{2}$ "	$11 \frac{1}{2}$ "	$13 \frac{1}{4}$ "
C:	5"X5"	5"X5"	5"X5"
D:	$8 \frac{3}{8}$ "	$8 \frac{3}{8}$ "	$8 \frac{3}{8}$ "
E:	$7 \frac{5}{8}$ "	$9 \frac{3}{8}$ "	$12 \frac{3}{8}$ "
F:	$10 \frac{1}{8}$ "	$11 \frac{1}{8}$ "	$12 \frac{7}{8}$ "

BEVOLO GAS & ELECTRIC LIGHTS

LIGHT:

FRENCH QUARTER

BRACKET:

SPIDER POST MOUNT & COLUMN MOUNT

DATE:

4-23-20

APP. BY:

REVISION:

JJG

2

COPYRIGHT 2020, BEVOLO GAS & ELECTRIC LIGHTS. DRAWINGS & DESIGNS ARE OWNED BY BEVOLO AND REMAIN THE SOLE AND EXCLUSIVE PROPERTY OF BEVOLO GAS & ELECTRIC LIGHTS. DRAWINGS AND DESIGNS SHALL NOT BE DUPLICATED IN WHOLE OR PART.