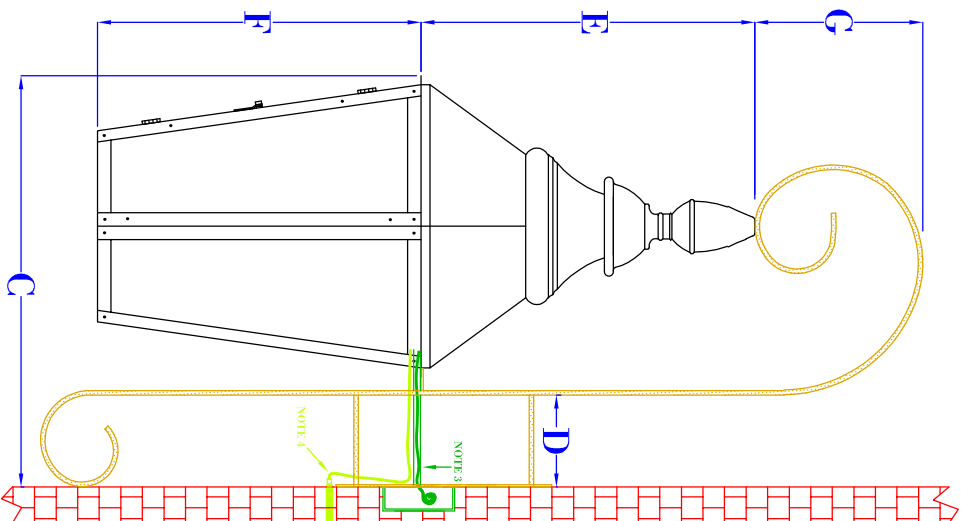
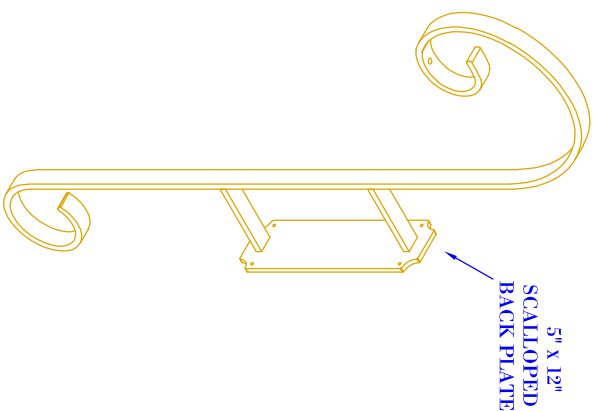


FRONT VIEW
(NTS)



SIDE VIEW
(NTS)



ISOMETRIC VIEW
(NTS)-BRACKET ONLY

- NOTES:
1. MOUNTING HARDWARE SUPPLIED BY OTHERS
 2. FIXTURES ARE HANDCRAFTED. DIMENSIONS MAY VARY PLUS OR MINUS $\frac{1}{4}$ "
 3. ELECTRIC LIGHTS SUPPLIED WITH 18/2 WIRE WITH GROUND
 4. GAS LIGHTS SUPPLIED WITH $\frac{3}{16}$ " COPPER GAS LINE AND $\frac{3}{16}$ " X $\frac{1}{4}$ " GAS LINE ADAPTOR

SIZE:	29"	36"
A:	45"	47"
B:	15 $\frac{3}{4}$ "	20 $\frac{1}{4}$ "
C:	16 $\frac{3}{4}$ "	22 $\frac{3}{4}$ "
D:	5"	5"
E:	15 $\frac{1}{4}$ "	18 $\frac{1}{2}$ "
F:	13 $\frac{3}{4}$ "	18 $\frac{3}{4}$ "
G:	8"	9 $\frac{1}{2}$ "

BEVOLO GAS & ELECTRIC LIGHTS

LIGHT:

SIX SIDED LONDON STREET

DATE:

DRW BY:

JJG

COPYRIGHT 2018, BEVOLO GAS & ELECTRIC LIGHTS. DRAWINGS AND DESIGNS ARE OWNED BY BEVOLO AND REMAIN THE SOLE AND EXCLUSIVE PROPERTY OF BEVOLO GAS & ELECTRIC LIGHTS. DRAWINGS AND DESIGNS SHALL NOT BE DUPLICATED IN WHOLE OR PART.

BRACKET:

RODIN BRACKET

8-2-18

REVISION:

4