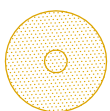


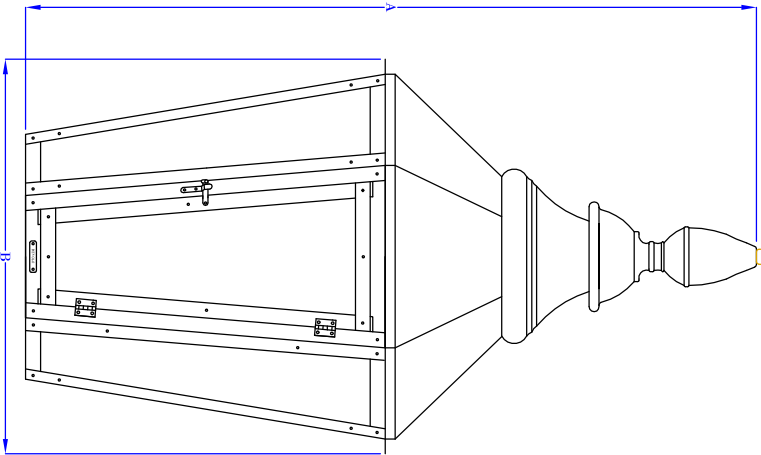
5" DIAMETER
CANOPY

NOTE 3
1"
D
(CUSTOM LENGTHS
AVAILABLE)

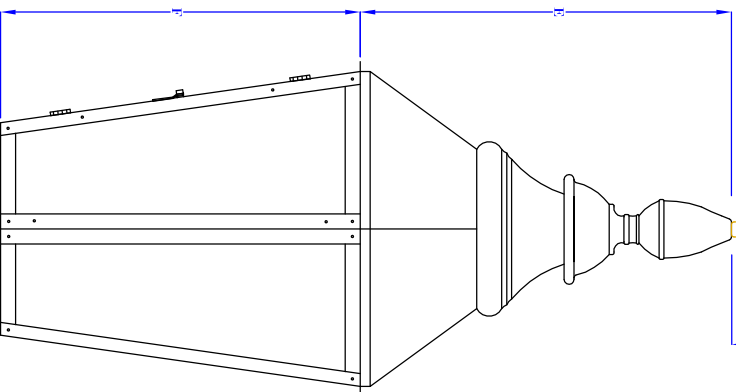
5" DIAMETER CANOPY



TOP VIEW
(NTS-BRACKET ONLY)



FRONT VIEW
(NTS)



SIDE VIEW
(NTS)

NOTES:

1. MOUNTING HARDWARE SUPPLIED BY OTHERS
2. FIXTURES ARE HANDCRAFTED. DIMENSIONS MAY VARY PLUS OR MINUS $\frac{1}{4}$ "
3. ELECTRIC LIGHTS SUPPLIED WITH 18/2 WIRE WITH GROUND

SIZE:	29"	36"
A:	29"	37 $\frac{1}{4}$ "
B:	15 $\frac{3}{4}$ "	20 $\frac{1}{4}$ "
C:	NA	NA
D:	36"	36"
E:	15 $\frac{1}{4}$ "	18 $\frac{1}{2}$ "
F:	13 $\frac{3}{4}$ "	18 $\frac{3}{4}$ "

BEVULO GAS & ELECTRIC LIGHTS

COPYRIGHT 2009, BEVULO GAS & ELECTRIC LIGHTS. DRAWINGS & DESIGNS ARE OWNED BY BEVULO AND REMAIN THE SOLE AND EXCLUSIVE PROPERTY OF BEVULO GAS & ELECTRIC LIGHTS. DRAWINGS AND DESIGNS SHALL NOT BE DUPLICATED IN WHOLE OR PART.

LIGHT: SIX SIDED LONDON STREET

DATE: 2-2-11
APP. BY: JMG
MAJ

BRACKET: HANGING CHAIN

REVISION: 1