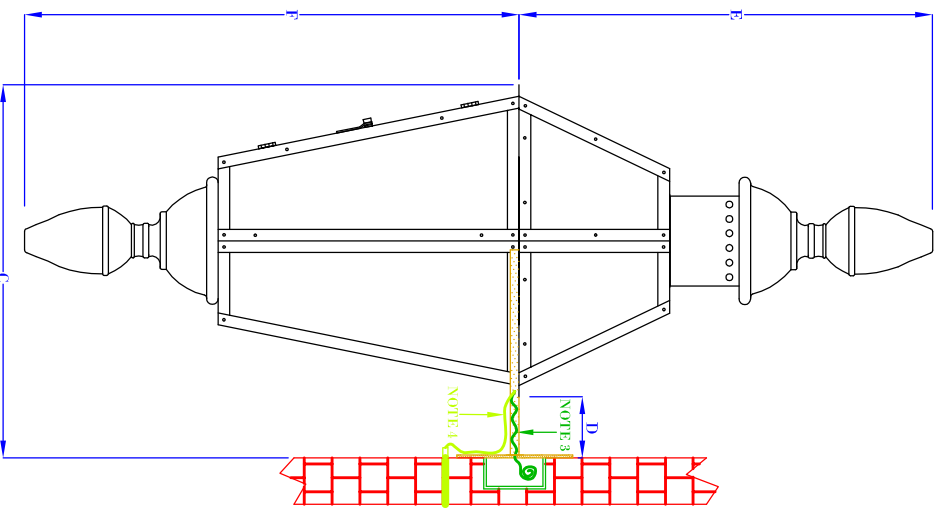
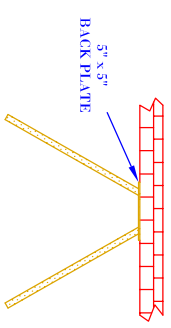


FRONT VIEW
(NTS)



SIDE VIEW
(NTS)



TOP VIEW
(NTS-BRACKET ONLY)

- NOTES:**
1. MOUNTING HARDWARE SUPPLIED BY OTHERS
 2. FIXTURES ARE HANDCRAFTED. DIMENSIONS MAY VARY PLUS OR MINUS $\frac{1}{4}$ "
 3. ELECTRIC LIGHTS SUPPLIED WITH 18/2 WIRE WITH GROUND
 4. GAS LIGHTS SUPPLIED WITH $\frac{3}{16}$ " COPPER GAS LINE AND $\frac{3}{16}$ " x $\frac{1}{4}$ " GAS LINE ADAPTOR

BEVULO GAS & ELECTRIC LIGHTS

LIGHT:	SIX SIDED w/ LONDON TOP AND LONDON BOTTOM	DATE:	DRW BY:	JJG
BRACKET:	STANDARD WALL MOUNT	8-5-10	APP. BY:	MAJ
			REVISION:	2

SIZE:	34" 19" SS	38" 22" SS	42" 25" SS	44" 27" SS
A:	32 $\frac{1}{8}$ "	37 $\frac{5}{8}$ "	39 $\frac{1}{8}$ "	40 $\frac{3}{4}$ "
B:	13 $\frac{5}{8}$ "	14 $\frac{5}{8}$ "	15 $\frac{3}{4}$ "	17 $\frac{7}{8}$ "
C:	13 $\frac{1}{2}$ "	14 $\frac{3}{4}$ "	16 $\frac{3}{8}$ "	17 $\frac{7}{8}$ "
D:	1 $\frac{7}{8}$ "	2 $\frac{1}{4}$ "	2 $\frac{3}{4}$ "	3 $\frac{1}{2}$ "
E:	13 $\frac{7}{8}$ "	17"	17 $\frac{7}{8}$ "	18 $\frac{3}{8}$ "
F:	18 $\frac{1}{4}$ "	20 $\frac{5}{8}$ "	21 $\frac{1}{4}$ "	22 $\frac{3}{8}$ "

COPYRIGHT 2009, BEVULO GAS & ELECTRIC LIGHTS. DRAWINGS & DESIGNS ARE OWNED BY BEVULO AND REMAIN THE SOLE AND EXCLUSIVE PROPERTY OF BEVULO GAS & ELECTRIC LIGHTS. DRAWINGS AND DESIGNS SHALL NOT BE DUPLICATED IN WHOLE OR PART.