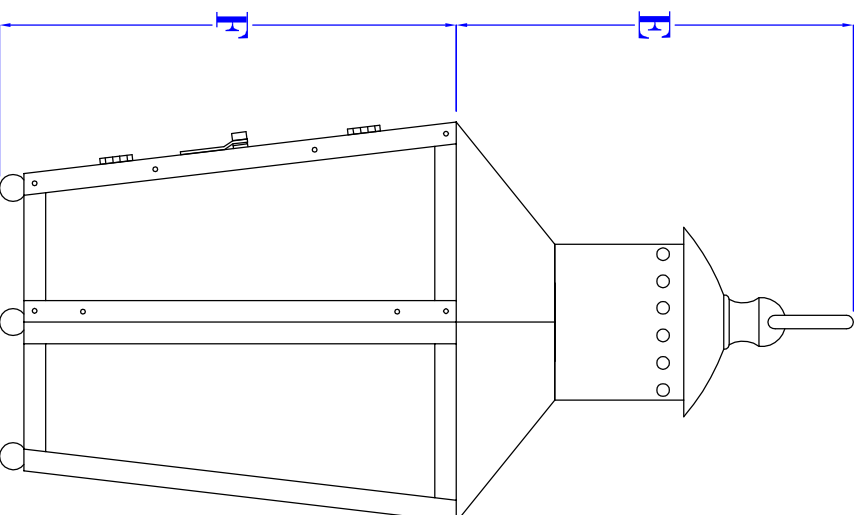


**FRONT VIEW**  
(NTS)



**SIDE VIEW**  
(NTS)

NOTES:  
1. FIXTURES ARE HANDCRAFTED. DIMENSIONS MAY VARY PLUS OR MINUS  $\frac{1}{4}$ "

# BEVOLO GAS & ELECTRIC LIGHTS

**LIGHT:** RAULT POOL HOUSE LANTERN

**BRACKET:** N/A

<b>SIZE:</b>	15"	19"	23"
<b>A:</b>	19 $\frac{3}{4}$ "	23 $\frac{7}{8}$ "	29 $\frac{3}{8}$ "
<b>B:</b>	10 $\frac{3}{4}$ "	14"	17"
<b>C:</b>	NA	NA	NA
<b>D:</b>	NA	NA	NA
<b>E:</b>	9"	11"	13 $\frac{1}{2}$ "
<b>F:</b>	10 $\frac{3}{4}$ "	12 $\frac{7}{8}$ "	15 $\frac{7}{8}$ "

COPYRIGHT 2016, BEVOLO GAS & ELECTRIC LIGHTS. THIS DRAWING AND ANY DESIGN OR DATA CONTAINED THEREIN ARE CONSIDERED PROPERTY OF BEVOLO GAS AND ELECTRIC LIGHTS. NEITHER THE DRAWING NOR ITS CONTENT MAY BE COPIED, REPRODUCED, OR EDITED TO A LIKENESS WITHOUT THE WRITTEN CONSENT OF BEVOLO GAS AND ELECTRIC LIGHTS.

<b>DATE:</b>	<b>DRW BY:</b>	<b>JIG</b>
5-2-16	<b>APP. BY:</b>	<b>MAJ</b>
<b>REVISION:</b>	<b>1</b>	