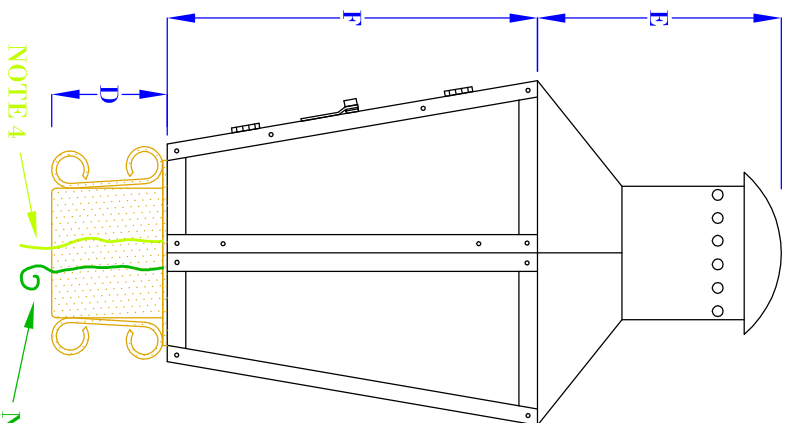
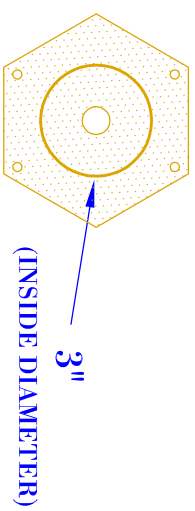


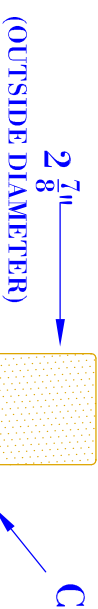
**FRONT VIEW**  
(NTS)



**SIDE VIEW**  
(NTS)



**BOTTOM VIEW-POST MOUNT**  
(NTS- BRACKET ONLY)



**SIDE VIEW-COLUMN MOUNT ADAPTOR**  
(NTS- BRACKET ONLY)

- NOTES:
1. MOUNTING HARDWARE SUPPLIED BY OTHERS
  2. FIXTURES ARE HANDCRAFTED. DIMENSIONS MAY VARY PLUS OR MINUS  $\frac{1}{4}$ "
  3. ELECTRIC LIGHTS SUPPLIED WITH 18/2 WIRE WITH GROUND
  4. GAS LIGHTS SUPPLIED WITH  $\frac{3}{16}$ " COPPER GAS LINE AND  $\frac{3}{16}$ " X  $\frac{1}{4}$ " GAS LINE ADAPTOR

# BEVOLO GAS & ELECTRIC LIGHTS

**LIGHT:**

**RAULT**

**BRACKET:**

**POST MOUNT & COLUMN MOUNT**

DATE:

6-19-12

DRW BY:

JJG

APP. BY:

MAJ

REVISION:

1

SIZE:	15"	19"	23"
A:	19 $\frac{5}{8}$ "	23 $\frac{1}{4}$ "	26 $\frac{3}{4}$ "
B:	10 $\frac{3}{4}$ "	14"	17"
C:	5"X5"	5"X5"	5"X5"
D:	3"	3"	3"
E:	6 $\frac{5}{8}$ "	8"	8 $\frac{7}{8}$ "
F:	10"	12 $\frac{1}{4}$ "	14 $\frac{7}{8}$ "

COPYRIGHT 2012, BEVOLO GAS & ELECTRIC LIGHTS. THIS DRAWING AND ANY DESIGN OR DATA CONTAINED THEREIN ARE CONSIDERED PROPERTY OF BEVOLO GAS AND ELECTRIC LIGHTS. NEITHER THE DRAWING NOR ITS CONTENT MAY BE COPIED, REPRODUCED, OR EDITED TO A LIKENESS WITHOUT THE WRITTEN CONSENT OF BEVOLO GAS AND ELECTRIC LIGHTS.