

5" DIAMETER CANOPY

(CUSTOM LENGTHS AVAILABLE)

NOTE 3

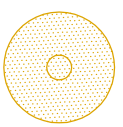
9"

D

(CUSTOM LENGTHS AVAILABLE)

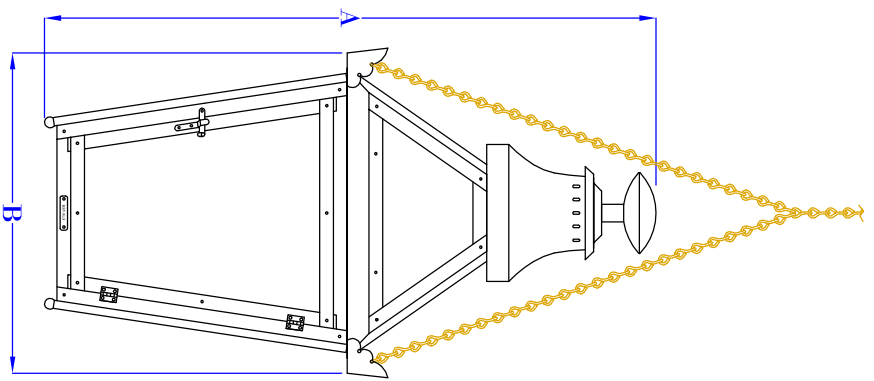
1"

5" DIAMETER CANOPY

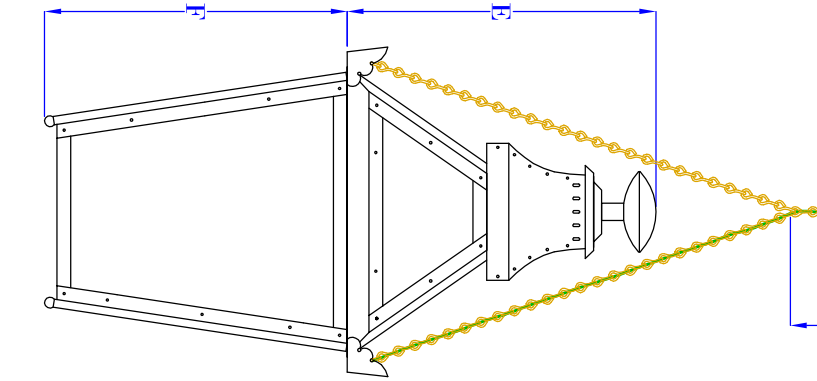


TOP VIEW

(NTS- BRACKET ONLY)



FRONT VIEW  
(NTS)



SIDE VIEW  
(NTS)

SIZE:	28"
A:	27 $\frac{3}{4}$ "
B:	14 $\frac{3}{4}$ "
C:	NA
D:	36"
E:	14"
F:	13 $\frac{3}{4}$ "

NOTES:

1. MOUNTING HARDWARE SUPPLIED BY OTHERS
2. FIXTURES ARE HANDCRAFTED. DIMENSIONS MAY VARY PLUS OR MINUS  $\frac{1}{4}$ "
3. ELECTRIC LIGHTS SUPPLIED WITH 18/2 WIRE WITH GROUND

# BEVOLOGAS & ELECTRIC LIGHTS

LIGHT:

MONTE CARLO

DRW BY:

JJG

DATE:

APP. BY:

MAJ

BRACKET:

STANDARD HANGING CHAIN

1-5-2011

REVISION:

1

COPYRIGHT 2009, BEVOLOGAS & ELECTRIC LIGHTS. DRAWINGS & DESIGNS ARE OWNED BY BEVOLOGAS AND REMAIN THE SOLE AND EXCLUSIVE PROPERTY OF BEVOLOGAS & ELECTRIC LIGHTS. DRAWINGS AND DESIGNS SHALL NOT BE DUPLICATED IN WHOLE OR PART.