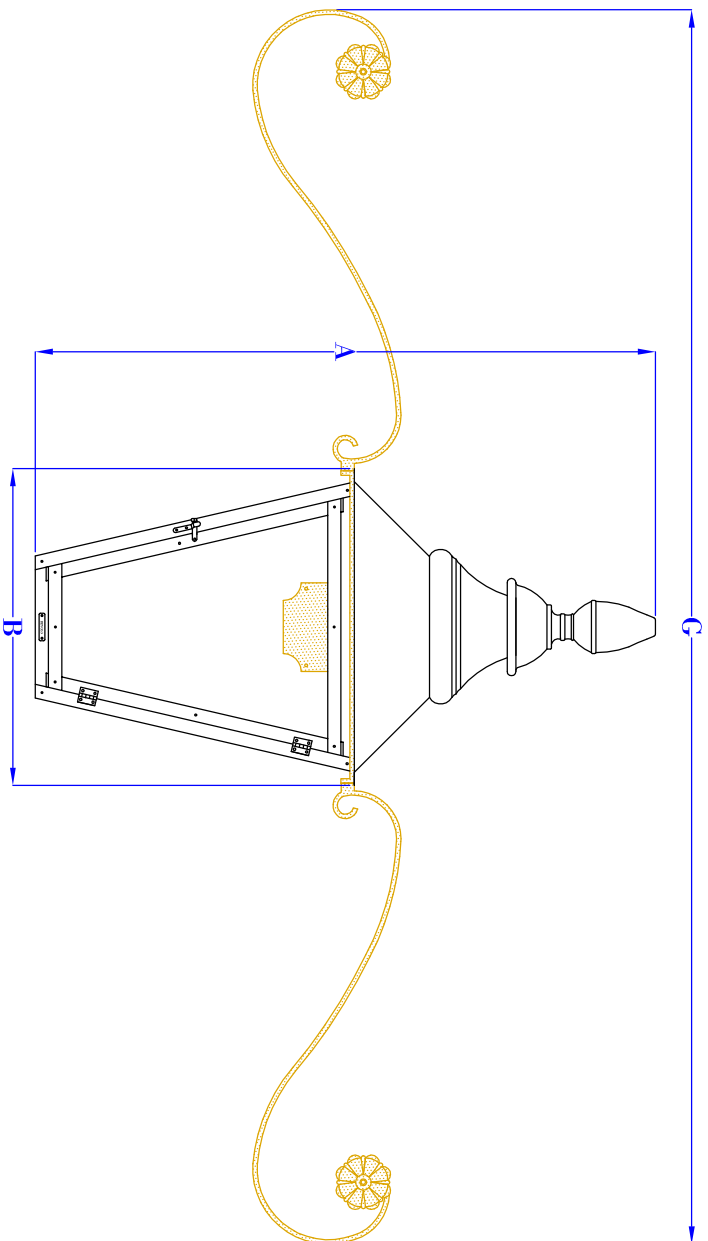
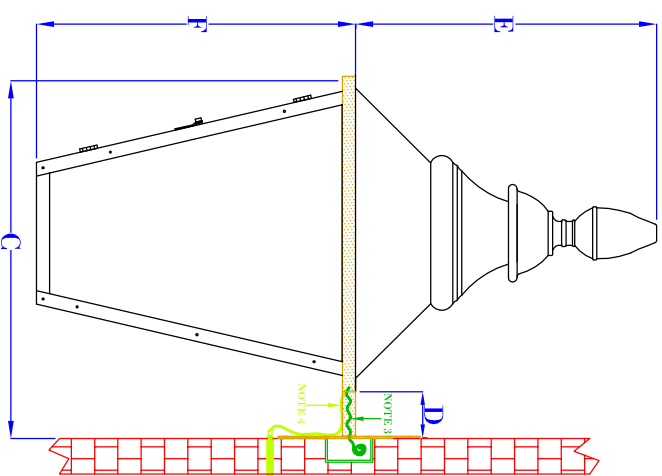


TOP VIEW
(NTS-BRACKET ONLY)



FRONT VIEW
(NTS)



SIDE VIEW
(NTS)

(SHOWN WITHOUT BRACKET ARMS ATTACHED)

- NOTES:
1. MOUNTING HARDWARE SUPPLIED BY OTHERS
 2. FIXTURES ARE HANDCRAFTED. DIMENSIONS MAY VARY PLUS OR MINUS $\frac{1}{4}$ "
 3. ELECTRIC LIGHTS SUPPLIED WITH 18/2 WIRE WITH GROUND
 4. GAS LIGHTS SUPPLIED WITH $\frac{3}{16}$ " COPPER GAS LINE AND $\frac{3}{16}$ " x $\frac{1}{4}$ " GAS LINE ADAPTOR

BEVOLO GAS & ELECTRIC LIGHTS

LIGHT:

LONDON STREET

BRACKET:

MUSTACHE

SIZE:	25"	28"	35"
A:	24 $\frac{1}{2}$ "	28 $\frac{1}{4}$ "	34 $\frac{3}{4}$ "
B:	12 $\frac{1}{2}$ "	14 $\frac{1}{2}$ "	17 $\frac{7}{8}$ "
C:	15"	17"	20 $\frac{3}{8}$ "
D:	2 $\frac{1}{2}$ "	2 $\frac{1}{2}$ "	2 $\frac{1}{2}$ "
E:	13"	13 $\frac{3}{4}$ "	16 $\frac{3}{4}$ "
F:	11 $\frac{1}{2}$ "	14 $\frac{1}{2}$ "	18"
G:	50"	57"	69"

DATE:	DRW BY:
4-28-16	JJG
REVISION:	APP. BY:
	MAJ
REVISION:	2

COPYRIGHT 2016, BEVOLO GAS & ELECTRIC LIGHTS. DRAWINGS & DESIGNS ARE OWNED BY BEVOLO AND REMAIN THE SOLE AND EXCLUSIVE PROPERTY OF BEVOLO GAS & ELECTRIC LIGHTS. DRAWINGS AND DESIGNS SHALL NOT BE DUPLICATED IN WHOLE OR PART.