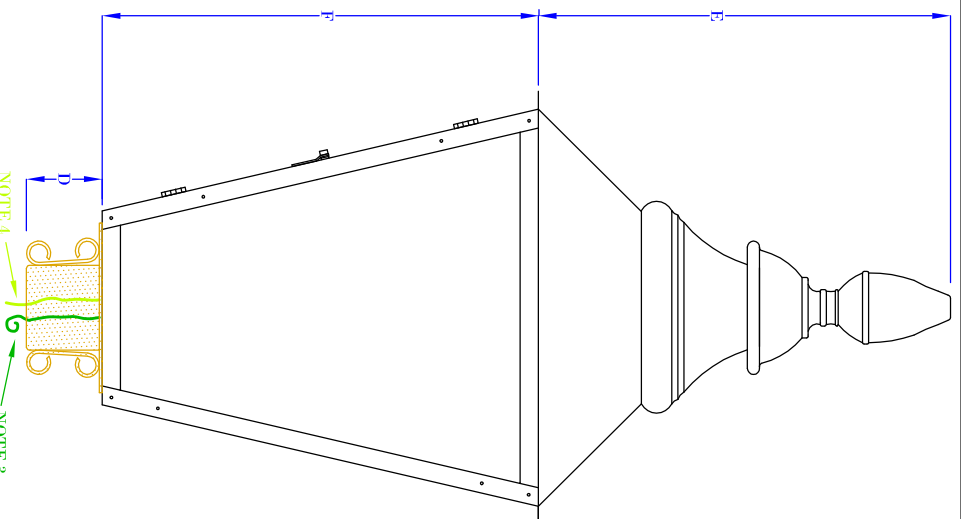


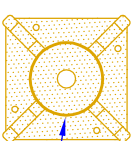
FRONT VIEW
(NTS)



SIDE VIEW
(NTS)

NOTE 1
NOTE 2
NOTE 3
NOTE 4

- NOTES:**
1. MOUNTING HARDWARE SUPPLIED BY OTHERS
 2. FIXTURES ARE HANDCRAFTED. DIMENSIONS MAY VARY PLUS OR MINUS $\frac{1}{4}$ "
 3. ELECTRIC LIGHTS SUPPLIED WITH 18/2 WIRE WITH GROUND
 4. GAS LIGHTS SUPPLIED WITH $\frac{1}{4}$ " GAS NIPPLE AND $\frac{1}{8}$ " IP x $\frac{1}{4}$ " GAS LINE ADAPTOR



BOTTOM VIEW-POST MOUNT
(NTS- BRACKET ONLY)



SIDE VIEW-COLUMN MOUNT ADAPTOR
(NTS- BRACKET ONLY)

SIZE:	25"	28"	35"
A:	27 $\frac{1}{2}$ "	31 $\frac{1}{4}$ "	37 $\frac{3}{4}$ "
B:	12 $\frac{1}{2}$ "	14 $\frac{1}{2}$ "	17 $\frac{7}{8}$ "
C:	5"	5"	5"
D:	3"	3"	3"
E:	13"	13 $\frac{3}{4}$ "	16 $\frac{3}{4}$ "
F:	11 $\frac{1}{2}$ "	14 $\frac{1}{2}$ "	18"

BEVULO GAS & ELECTRIC LIGHTS

LONDON STREET

POST MOUNT & COLUMN MOUNT

BRACKET:

DATE:

APP. BY:

REVISION:

10-18-10

JJG

MAJ

2

COPYRIGHT 2009, BEVULO GAS & ELECTRIC LIGHTS. DRAWINGS & DESIGNS ARE OWNED BY BEVULO AND REMAIN THE SOLE AND EXCLUSIVE PROPERTY OF BEVULO GAS & ELECTRIC LIGHTS. DRAWINGS AND DESIGNS SHALL NOT BE DUPLICATED IN WHOLE OR PART.