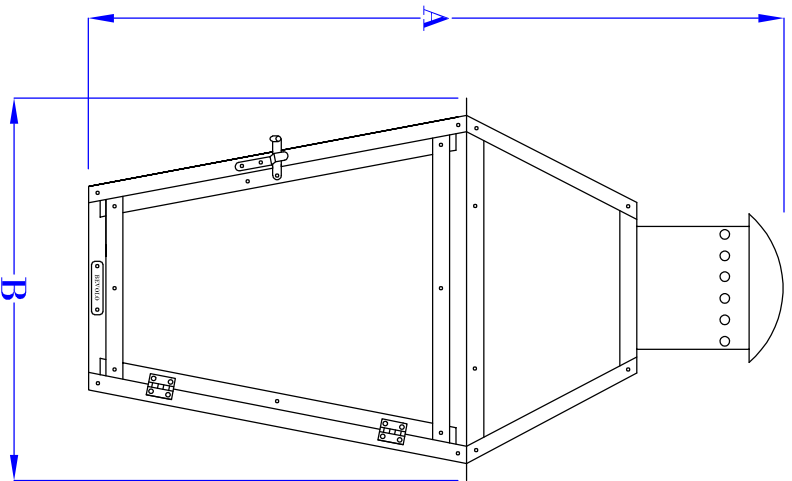
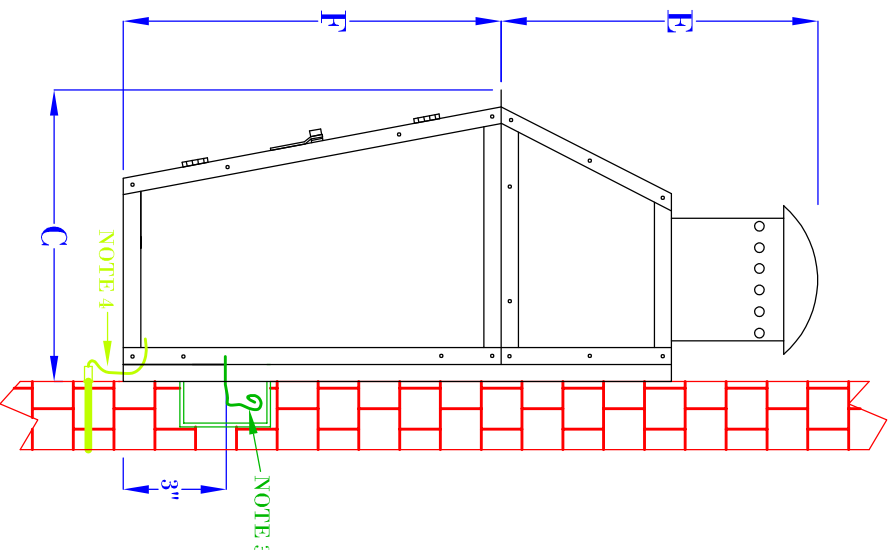


**FLUSH MOUNTED  
GAS FIXTURES  
CANNOT BE MOUNTED TO  
ANY COMBUSTIBLE  
MATERIALS INCLUDING  
WOOD, VINYL, PVC  
OR COMPOSITES**



**FRONT VIEW**  
(NTS)



**SIDE VIEW**  
(NTS)

- NOTES:**
1. MOUNTING HARDWARE SUPPLIED BY OTHERS
  2. FIXTURES ARE HANDCRAFTED. DIMENSIONS MAY VARY PLUS OR MINUS  $\frac{1}{4}$ "
  3. ELECTRIC LIGHTS SUPPLIED WITH 18/2 WIRE WITH GROUND
  4. GAS LIGHTS SUPPLIED WITH  $\frac{3}{16}$ " COPPER GAS LINE AND  $\frac{3}{16}$ " x  $\frac{1}{4}$ " GAS LINE ADAPTOR

# BEVOLO GAS & ELECTRIC LIGHTS

**LIGHT:**  
**BRACKET:**

**FRENCH QUARTER HALF LIGHT**

**FLUSH**

DATE:

9-10-19

APP. BY:

REVISION:

JJG

3

DRW BY:

JJG

SIZE:	18"	21"	24"
A:	17 $\frac{3}{4}$ "	20 $\frac{1}{2}$ "	25 $\frac{1}{4}$ "
B:	10 $\frac{1}{2}$ "	11 $\frac{1}{2}$ "	13 $\frac{1}{4}$ "
C:	8"	8 $\frac{7}{8}$ "	10 $\frac{1}{4}$ "
E:	7 $\frac{5}{8}$ "	9 $\frac{3}{8}$ "	12 $\frac{3}{8}$ "
F:	10 $\frac{1}{8}$ "	11 $\frac{1}{8}$ "	12 $\frac{7}{8}$ "

COPYRIGHT 2019, BEVOLO GAS & ELECTRIC LIGHTS. THIS DRAWING AND ANY DESIGN OR DATA CONTAINED THEREIN ARE CONSIDERED PROPERTY OF BEVOLO GAS AND ELECTRIC LIGHTS. NEITHER THE DRAWING NOR ITS CONTENT MAY BE COPIED, REPRODUCED, OR EDITED TO A LIKENESS WITHOUT THE WRITTEN CONSENT OF BEVOLO GAS AND ELECTRIC LIGHTS.